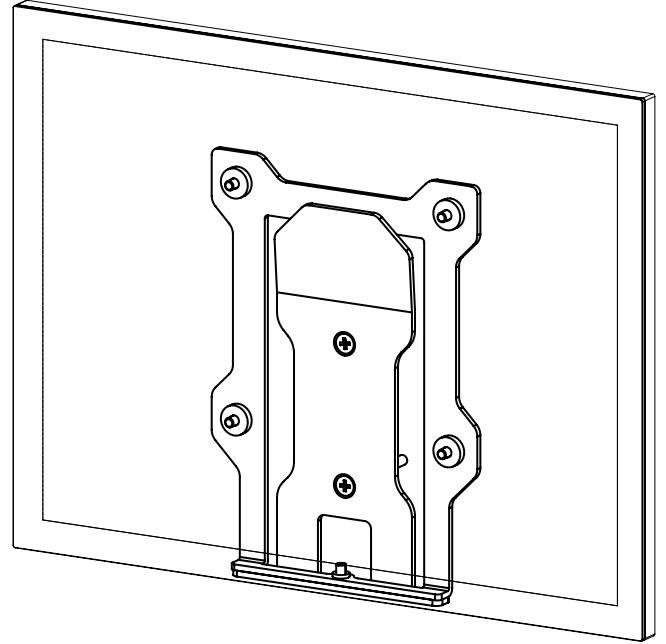


VISIONECT

Wall Mount

for Visionect 13-inch devices

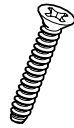


2x



Drywall Anchor

2x



Drywall Anchor Screw

4x



Device-mount Spacers

4x



Device-mount Screws

1x



Security Torx Key

1x



Hex Assembly Key

1x



Security Torx Screw

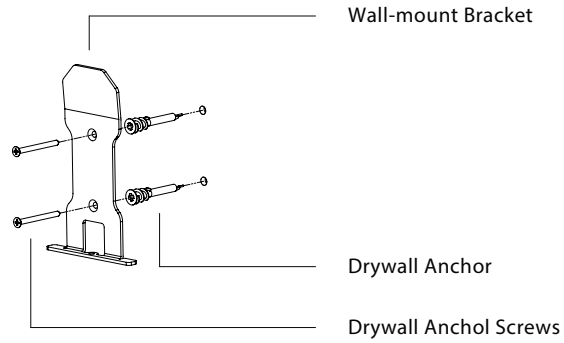
1x



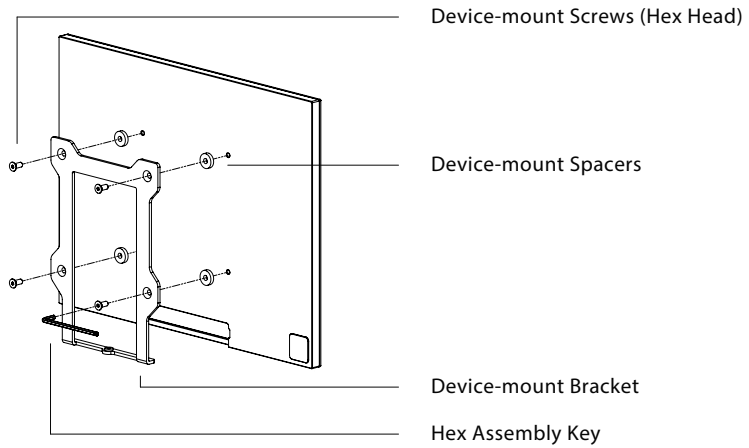
13-inch device

Mounting To Drywall

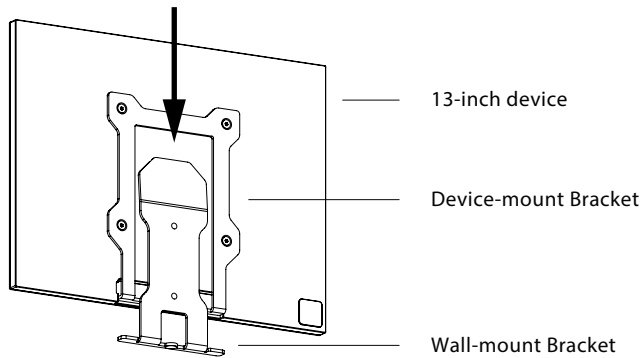
- 1 Install Wall-mount Bracket into the wall with the use of drywall anchors.



- 2 Install Device-mount Bracket to the 13-inch device.



- 3 Mount the 13-inch device to the Wall-mount Bracket.



- 4 Install security screw.

