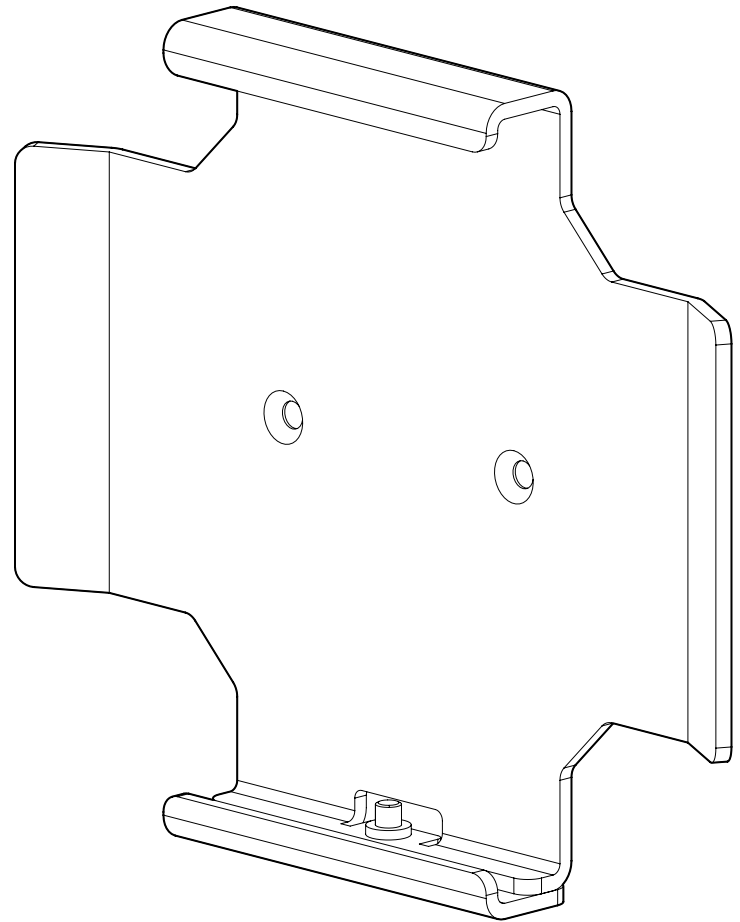




# Secure Mount

The safest option for Joan 6 devices.

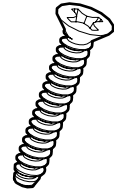


2x



Drywall Anchor

2x



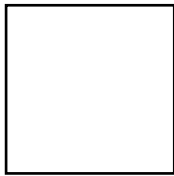
Drywall Anchor Screw

1x



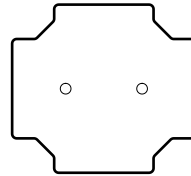
Security Torx Key

2x



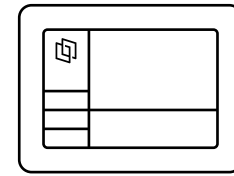
Alcohol Pad

1x



Double-Sided Adhesive Pad  
for Glass Mounting

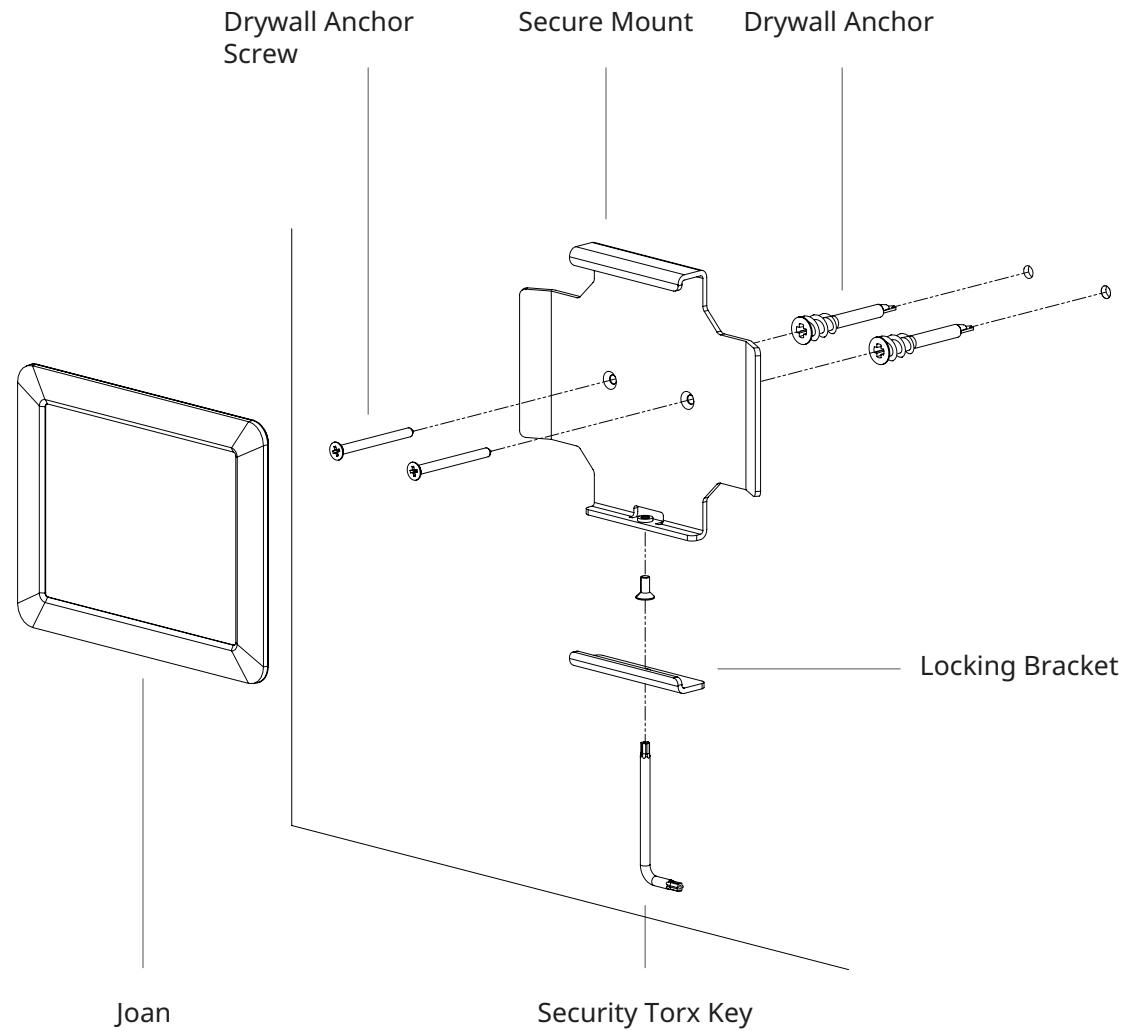
1x



Joan Room  
Booking device

# Mounting to drywall

- 1 Install Drywall Anchors into the wall.
- 2 Fasten Secure Mount to the wall.
- 3 Loosen Locking Bracket.
- 4 Insert Joan topmost side first.
- 5 Tighten Locking Bracket.



# Mounting to glass

- 1 Clean the glass surface with Alcohol Pads.
- 2 Adhere the Double-Sided Adhesive Pad on the glass.
- 3 Clean the Secure Mount with Alcohol Pad.
- 4 Adhere the Secure Mount to the Adhesive Pad.
- 5 Wait one hour.
- 6 Loosen the Locking Bracket.
- 7 Insert Joan topmost side first.
- 8 Tighten the Locking Bracket.

