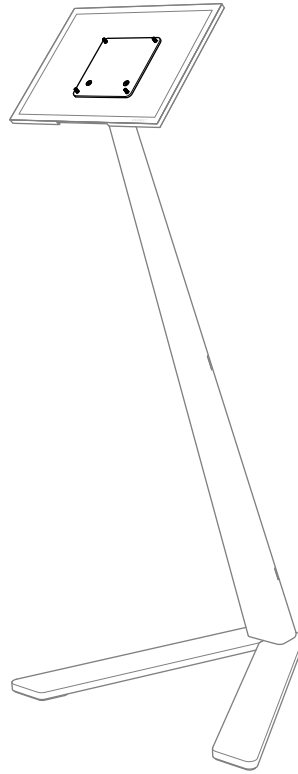






# Kiosk Adapter

for Visionect 13" devices



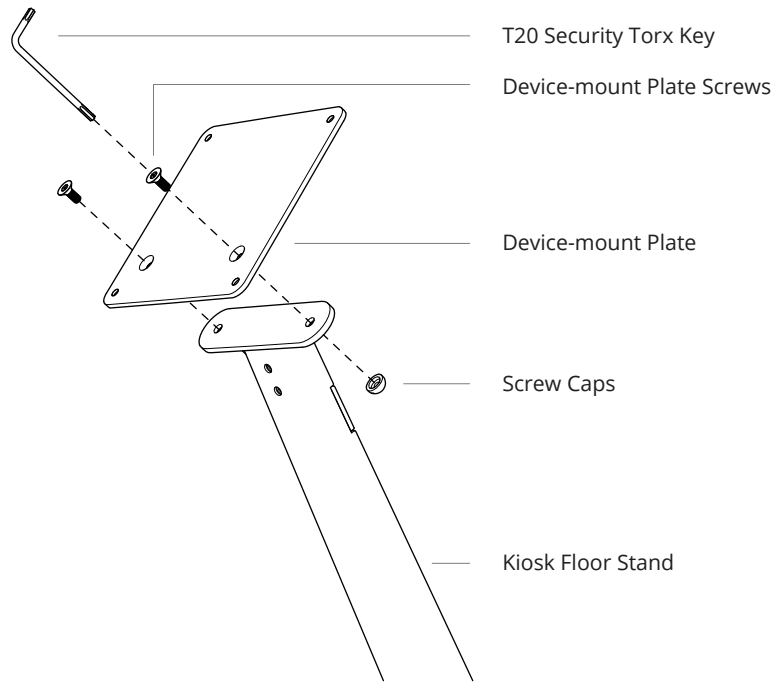
H943

6x		1x	
	Device-mount & Device-mount Plate screws		T20 Security Torx Key

1x		1x	
	Visionect 13" device		Kiosk Floor Stand

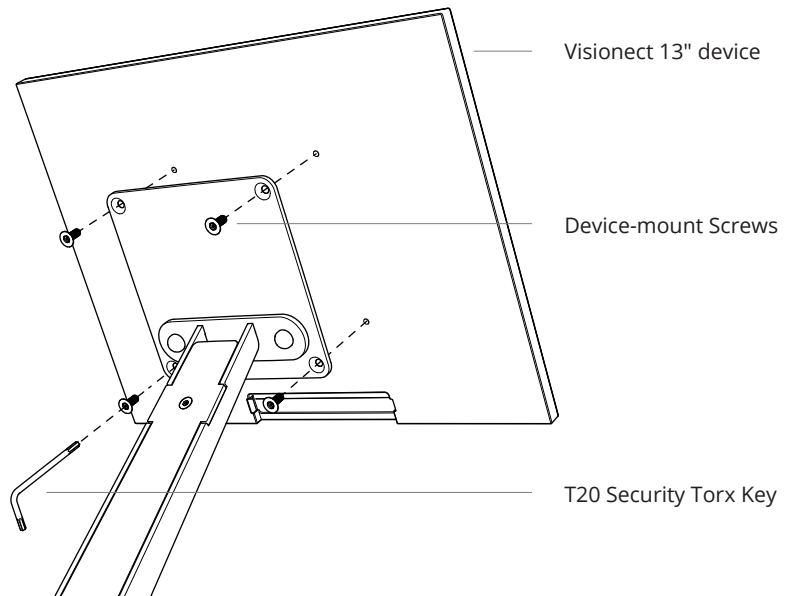
# Mounting To Kiosk Floor Stand

1 Install device-mount plate to Kiosk.



3

2 Install device to mounting plate.



4